



TS-O Sensor Series

Outdoor Temperature Sensors



Overview

This series of sensors are single point outside air temperature sensors that utilizes a precision sensor. The sensing element is constructed to provide excellent heat transfer, fast response and are potted to resist moisture penetration. A sun and wind shield is integrated into the enclosure. This sensor should be mounted on an outside north facing wall using the provided mounting holes, under the eaves which will provide protection from direct sunlight.

Applications

- Used for measuring outdoor temperature

Features & Benefits

- Economical
- Ease of installation
- Wide selection of thermistor curves
- Accurate temperature monitoring for increased comfort
- Sensors are hermetically sealed

Model Selection

TS-OMW	Outside Air Sensors (Aluminum Weatherproof Enclosure)
TS-OPR	Outside Air Sensors (Round ABS Enclosure and Gasketed Cover)
TS-OPS	Outside Air Sensors (Rectangular ABS Enclosure and Hinged Cover)

Product Specifications

Environmental

Operating Temperature _____ -50°C to 100°C; -58°F to 212°F

Enclosure

Material:

- TS-OPR _____ (Grey) Hinged Lid, ABS - UL94-5VB - IP65 (NEMA 4X)
- TS-OPS _____ (Grey) Round, ABS - UL94-5VB - IP65 (NEMA 4X)
- TS-OMW _____ Cast Aluminum - IP64 (NEMA 3X)

Shipping weight

- TS-OPR _____ 0.65 lbs (0.29 kg)
- TS-OPS _____ 0.30 lbs (0.14 kg)
- TS-OMW _____ 0.35 lbs (0.16 kg)

Electrical

Dissipation Factor _____ 2.2mW/K (Thermistor)

Max Power @ 25°C (77°F) _____ 75mW (Thermistor)

Thermal Time Constant _____ Less than 10s (Thermistor)

Temperature Sensor

Type¹ _____ 10kΩ NTC thermistor, Type 2

Accuracy _____ ±0.2°C; ±0.36°F

Agency Approvals

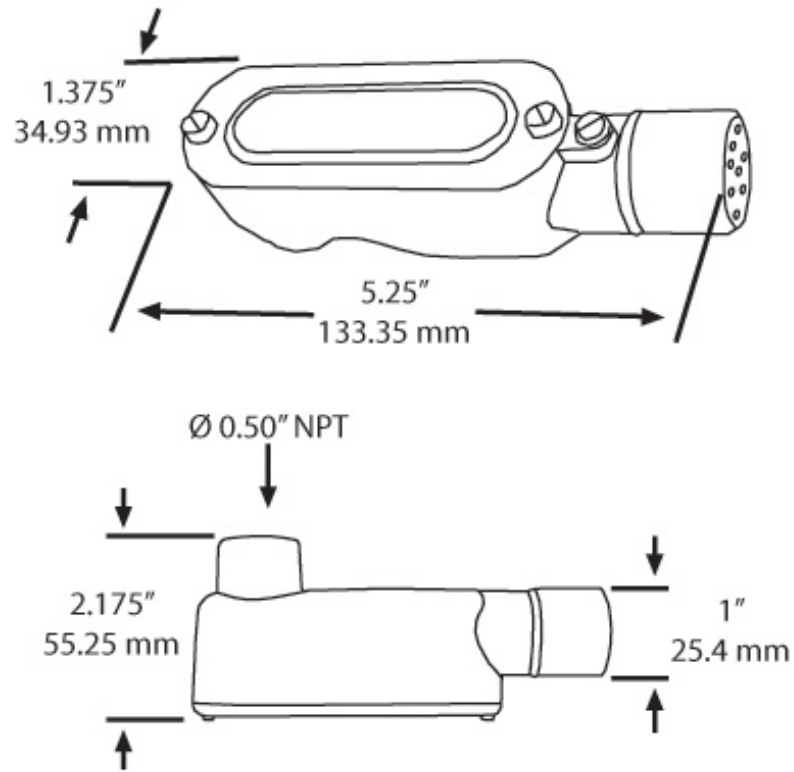
Material² _____ UL94-5VB

1. Temperature sensor type stated is standard. Other temperature sensor types are available

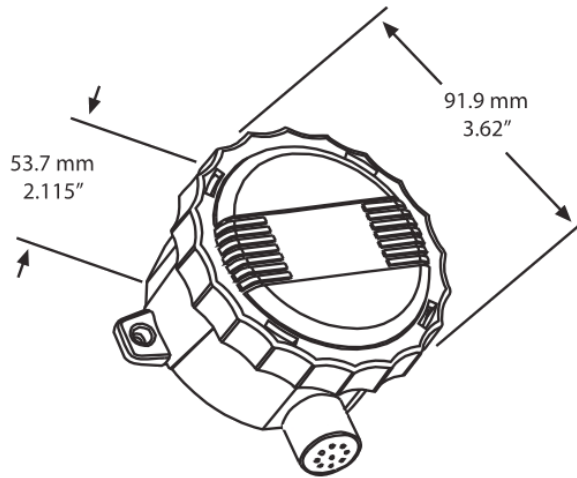
2. All materials and manufacturing processes comply with the RoHS directive.

Dimensions

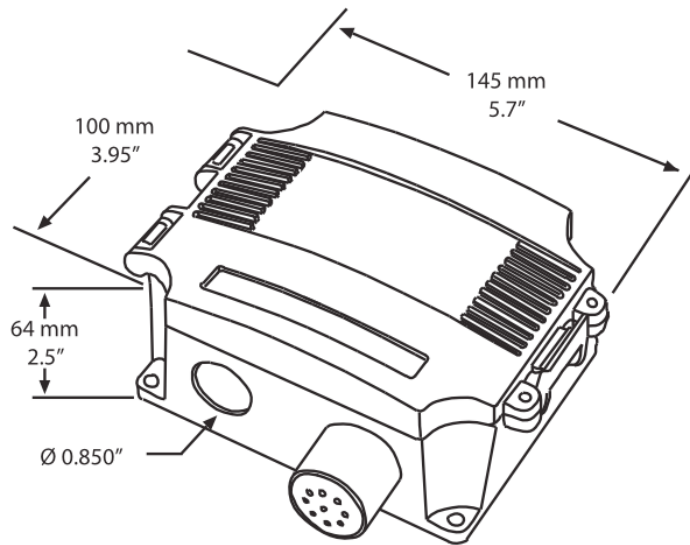
TS-OMW



TS-OPR



TS-OPS



Specifications subject to change without notice.
Distech Controls, and the Distech Controls logo are trademarks of Distech Controls Inc. All other trademarks are property of their respective owner.
©, Distech Controls Inc., 2015. All rights reserved.